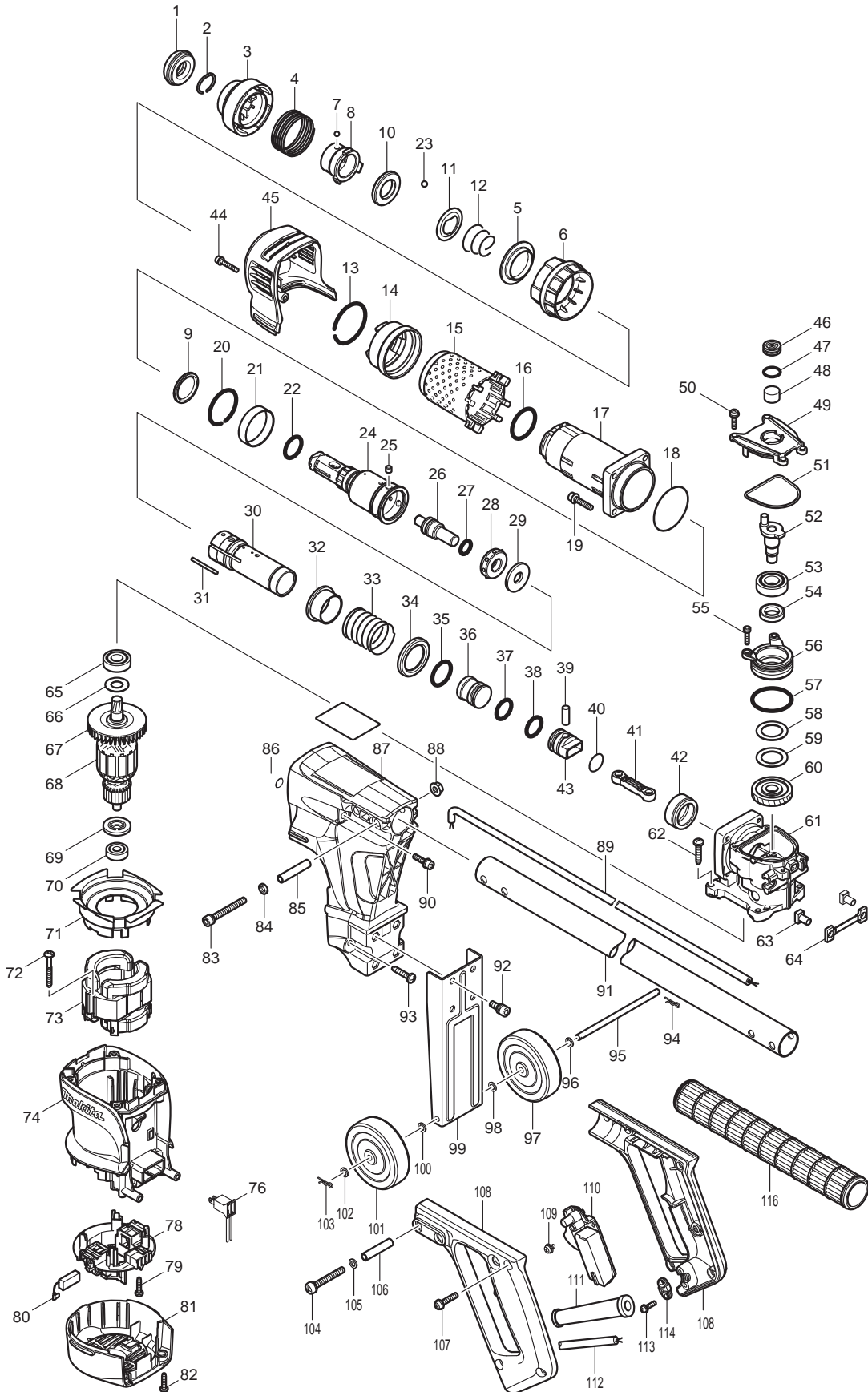




02 - 2010
HK1820L

SDS PLUS - POWER SCRAPER, LONG HANDLE



Item No.	Type	Sub	Part No.	Description (*See Service changes on the bottom)	Qty	Unit
1			286283-8	CAP 38	1	PC.
2			233966-1	RING SPRING 19	1	PC.
3			450275-5	CHUCK COVER	1	PC.
4			234039-3	COMPRESSION SPRING 42	1	PC.
5			345874-5	STEEL BALL GUIDE	1	PC.
6			450274-7	CHANGE RING	1	PC.
7			216002-8	STEEL BALL 4.8	3	PC.
8			331796-5	RING 25	1	PC.
9			262142-0	URETHAN RING 26	1	PC.
10			257288-5	RING 21	1	PC.
11			345873-7	GUIDE WASHER	1	PC.
12			233916-6	CONICAL COMP. SPRING 21-29	1	PC.
13			231985-1	RING SPRING 43	1	PC.
14			450273-9	BARREL COVER SUPPORT	1	PC.
15			424066-0	BARREL COVER	1	PC.
16			213465-9	O RING 31	1	PC.
17			318196-6	BARREL	1	PC.
18			213606-7	O RING 48	1	PC.
19			922243-3	HEX. SOCKET HEAD BOLT M5X25	4	PC.
20			233956-4	RING SPRING 37	1	PC.
21		1	257290-8	* RING 39	1	PC.
		2	257296-6	* RING 39	1	PC.
22			213008-7	O RING 22.4	1	PC.
23			216022-2	STEEL BALL 7.0	2	PC.
24			324837-4	TOOL HOLDER	1	PC.
25		1	256266-2	* PIN 6	3	PC.
		2	268226-2	* PIN 6	3	PC.
26			324844-7	IMPACT BOLT	1	PC.
27			213128-7	O RING 12	1	PC.
28			424065-2	RUBBER RING 13	1	PC.
29			267363-9	FLAT WASHER 12	1	PC.
30		1	331804-2	* CYLINDER	1	PC.
		2	331849-0	* CYLINDER	1	PC.
31		1	256833-3	* ROD 3	3	PC.
		2	256862-6	* ROD 2.5	3	PC.
32			331799-9	RING 29	1	PC.
33			234041-6	COMPRESSION SPRING 32	1	PC.
34			345872-9	CUP WASHER 29	1	PC.
35			213435-8	* O RING 26 (Old)	1	PC.
36			324847-1	STRIKER	1	PC.
37			213283-5	O-RING 18	1	PC.
38			213283-5	O-RING 18	1	PC.
39			256087-2	PIN 7	1	PC.
40			213262-3	O RING 18	1	PC.
41			450278-9	CONNECTING ROD	1	PC.
42			331797-3	SLEEVE 29	1	PC.
43			450298-3	PISTON	1	PC.
44			922148-7	HEX. SOCKET HEAD BOLT M4X25	1	PC.
45			450277-1	CRANK HOUSING COVER	1	PC.
46			419988-7	FILTER CAP	1	PC.
47			213218-6	O RING 16	1	PC.
48			443129-3	FILTER	1	PC.
49			450276-3	CRANK CAP	1	PC.
50			911133-5	PAN HEAD SCREW M4X18	4	PC.
51			424067-8	SEAL RING	1	PC.
52			324845-5	CRANK SHAFT	1	PC.
53			211232-6	BALL BEARING 6002LLU	1	PC.

Item No.	Type	Sub	Part No.	Description (*See Service changes on the bottom)	Qty	Unit
54			213219-4	OIL SEAL 15	1	PC.
55			265490-6	HEX. SOCKET HEAD BOLT M4X16	2	PC.
56			318202-7	BEARING BOX	1	PC.
57			213513-4	O RING 39	1	PC.
58			267126-3	FLAT WASHER 22	1	PC.
59			267126-3	FLAT WASHER 22	1	PC.
60			226675-9	HELICAL GEAR 36	1	PC.
61			158523-3	CRANK HOUSING COMPLETE	1	PC.
		INC.	213415-4	O RING 28	1	PC.
62			266041-8	TAPPING SCREW 5X25	4	PC.
63			331798-1	FIX GUIDE	2	PC.
64			424068-6	CUSHION PLATE	1	PC.
65			211131-2	BALL BEARING 6001DDW	1	PC.
66			253748-5	FLAT WASHER 12	1	PC.
67			241879-2	FAN 60	1	PC.
68			513756-1	ARMATURE ASS'Y 115V	1	PC.
		INC.		Item No. 65-67,69,70		
69			681644-1	INSULATION WASHER	1	PC.
70			210005-4	BALL BEARING 608DDW	1	PC.
71			450265-8	BAFFLE PLATE	1	PC.
72			266211-9	TAPPING SCREW 5X40	2	PC.
73			625816-8	FIELD 115V	1	PC.
74			450263-2	MOTOR HOUSING	1	PC.
76			638607-8	LEAD UNIT	1	PC.
78			638393-1	BRUSH HOLDER UNIT	1	PC.
79			265995-6	TAPPING SCREW 4X18	4	PC.
80	1		194160-9	CARBON BRUSH CB-350 2PC/SET (W/O ORIGIN)	1	SET
	2		195004-6	CARBON BRUSH CB-350 2PC/SET (W/ ORIGIN)	1	SET
81			450264-0	REAR COVER	1	PC.
82			265995-6	TAPPING SCREW 4X18	2	PC.
83			922371-4	HEX. SOCKET HEAD BOLT M6X50	2	PC.
84			941151-9	FLAT WASHER 6	2	PC.
85			257734-8	SLEEVE 6	2	PC.
86	1		683242-7	* POLYETHYLENE TUBE 10-40	1	PC.
	2		683247-7	* POLYETHYLENE TUBE 10-960	1	PC.
87			450467-6	HANDLE BASE	1	PC.
88			252115-1	FLANGE HEX.NUT M6	2	PC.
89			664176-3	CORD W/PLUG 2P-18-1.105	1	PC.
90			266439-9	HEX SOCKET HEAD BOLT M5X20	2	PC.
91			331839-3	PIPE 29-900	1	PC.
92			922323-5	HEX.SOCKET HEAD BOLT M6X16	4	PC.
93			266041-8	TAPPING SCREW 5X25	2	PC.
94			259011-4	SNAP PIN 6	1	PC.
95			321962-2	ROD	1	PC.
96			941152-7	FLAT WASHER 6	1	PC.
97			421310-6	CASTER 75	1	PC.
98			941152-7	FLAT WASHER 6	1	PC.
99			345890-7	SUPPORTER	1	PC.
100			941152-7	FLAT WASHER 6	1	PC.
101			421310-6	CASTER 75	1	PC.
102			941152-7	FLAT WASHER 6	1	PC.
103			259011-4	SNAP PIN 6	1	PC.
104			911366-2	PAN HEAD SCREW M6X45	2	PC.
105			941152-7	FLAT WASHER 6	2	PC.
106			257632-6	SLEEVE 6	2	PC.
107			911243-8	PAN HEAD SCREW M5X25	3	PC.
108			181954-1	HANDLE SET	1	SET

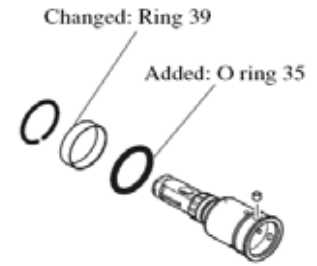
Item No.	Type	Sub	Part No.	Description (*See Service changes on the bottom)	Qty	Unit
109			911109-2	* PAN HEAD SCREW M4X8	2	PC.
110			651018-0	SWITCH HPAHR2-3S	1	PC.
111			682503-2	CORD GUARD 8-90	1	PC.
112			660023-6	POWER SUPPLY CORD AWG#18-2-5.0	1	PC.
113			911128-8	PAN HEAD SCREW M4X16	2	PC.
114			687002-9	STRAIN RELIEF	1	PC.
116			424091-1	GRIP COVER 28	1	PC.
117			423122-3	* CUSHION PLATE (Old)	3	PC.
118			213142-3	* O-RING 35	1	PC.
<u>ACCESSORIES</u>						
A01			783203-8	HEX. WRENCH 5	1	PC.
A02	Opt.		188500-1	HAMMER SERVICE KIT	1	PC.

SERVICE CHANGES

1. Changes on Ring 39 and addition of O Ring 35

Item No.	Description	Type 1	Type 2
21	Ring 39	257290-8	257296-6
118	O Ring 35	-----	213142-3

Above parts are completely interchangeable as a set.



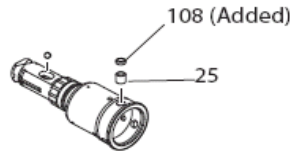
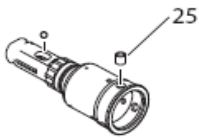
2. Changes on Pin 6, cushion plate, rod 3 and cylinder, etc.

Item No.	Description	Type 1	Type 2	Type 3
25	Pin 6	256266-2		268226-2
117	Cushion Plate	-----	423122-3	----
30	Rod		256833-3	256862-6
31	Cylinder		331804-2	331849-0
35	O Ring 26	213435-8		-----

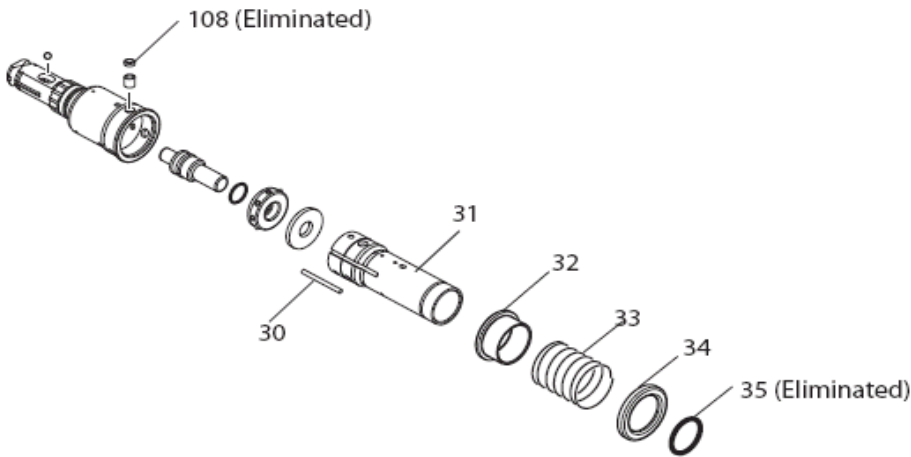
Item No. 30 and Item No. 31 are interchangeable as a set.

Old (Type1 - Pin 6 and cushion plate)

Old (Type2 - Pin 6 and cushion plate)



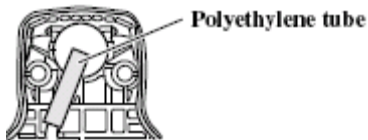
New



3. Changes Polyethylene Tube

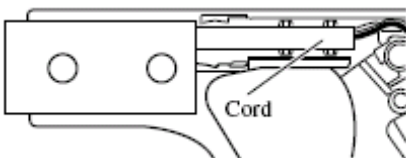
Item No.	Description	Type 1	Type 2
86	Polyethylene Tube	683242-7 (40mm)	683247-7 (960mm)

Length has been changed from 40mm to 960mm to cover the cord.



Handle base portion

Type1



Type2 The cord is covered with Polyethylene tube

